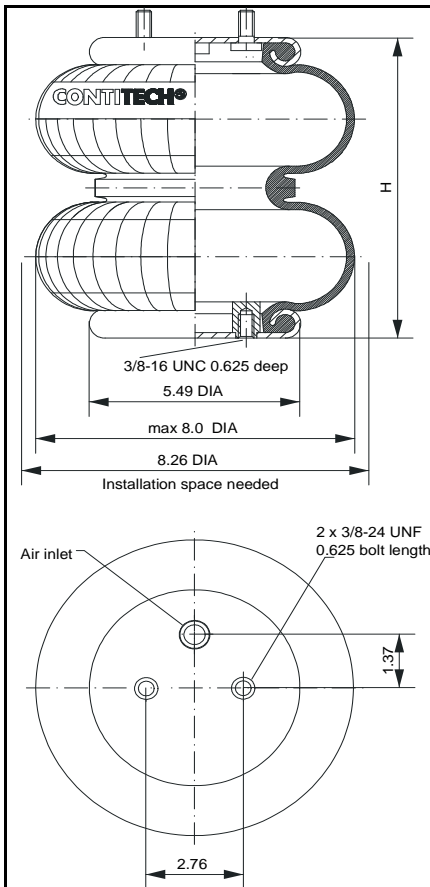
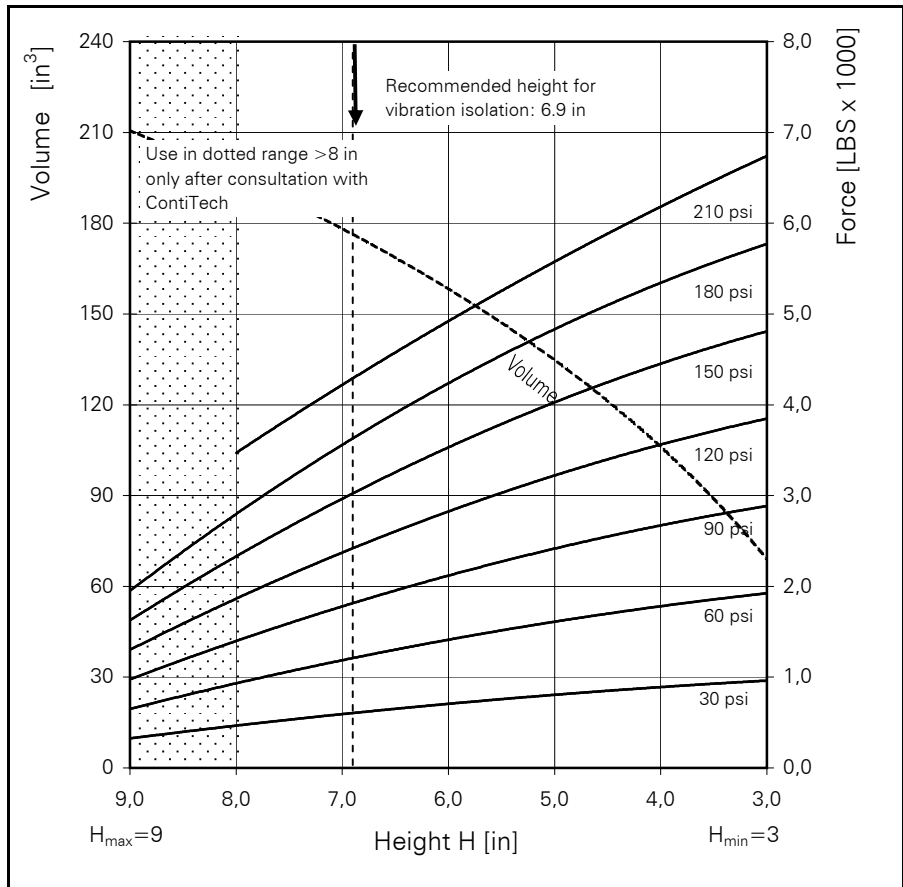


FD 110-15 4ply

CONTI[®] double convoluted air spring



FD 110-15



Force-height-diagram

Purchase order data

Technical data

Type	Order No.
With clamped plates, Air inlet: 1/2 NPT	On request
With clamped plates, Air inlet: 2 X 1/2 NPT	On request
With clamped plates, Air inlet: 2 X 3/4 NPT (1.1 offset)	On request

Additional types on request

Min. pressure	0 psi
Return force to min. height	≤ 135 lbs
Overall weight with clamped plates	5 lbs

Vibration isolation - dynamic characteristic values

Design height H: recommended 6.9 inch, minimum 6.3 inch

Pressure p [psi]	40	60	80	100	120		Vol. V [in ³]
Force (Load) [lbs]	820	1230	1630	2040	2450		
Spring rate [lbs/in]	357	529	705	832	995		
Natural frequency [Hz]	2.4	2.4	2.4	2.3	2.3		177

Pneumatic application - static characteristic values

Force F [lbs]

Pressure p [psi]	20	40	60	80	100	120	Vol [in ³]	
Height H [in]	7	400	800	1200	1600	2000		2400
	6	470	930	1400	1860	2330		2790
	5	530	1060	1580	2110	2640		3170
	4	590	1180	1770	2350	2940		3530
	3	640	1290	1930	2570	3220		3860



Service instruction

3/8 UNC = 15-20 LBxFT

1/2 NPT = 20-30 LBxFT

3/4 NPT = 20-30 LBxFT