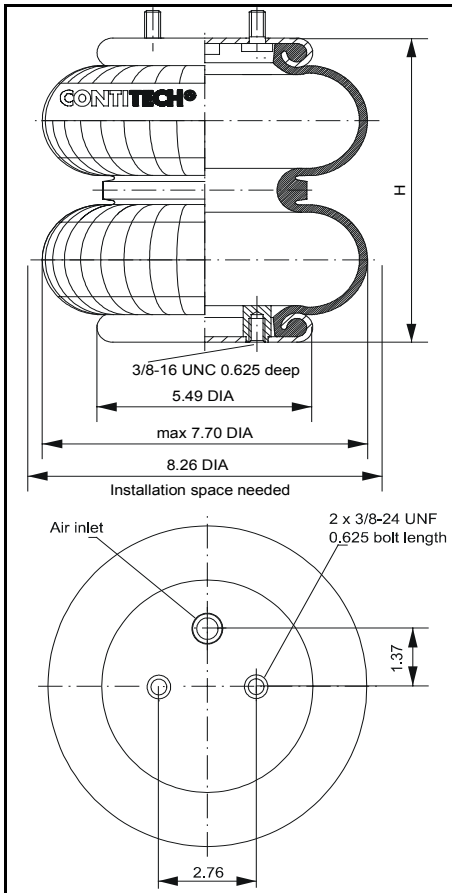
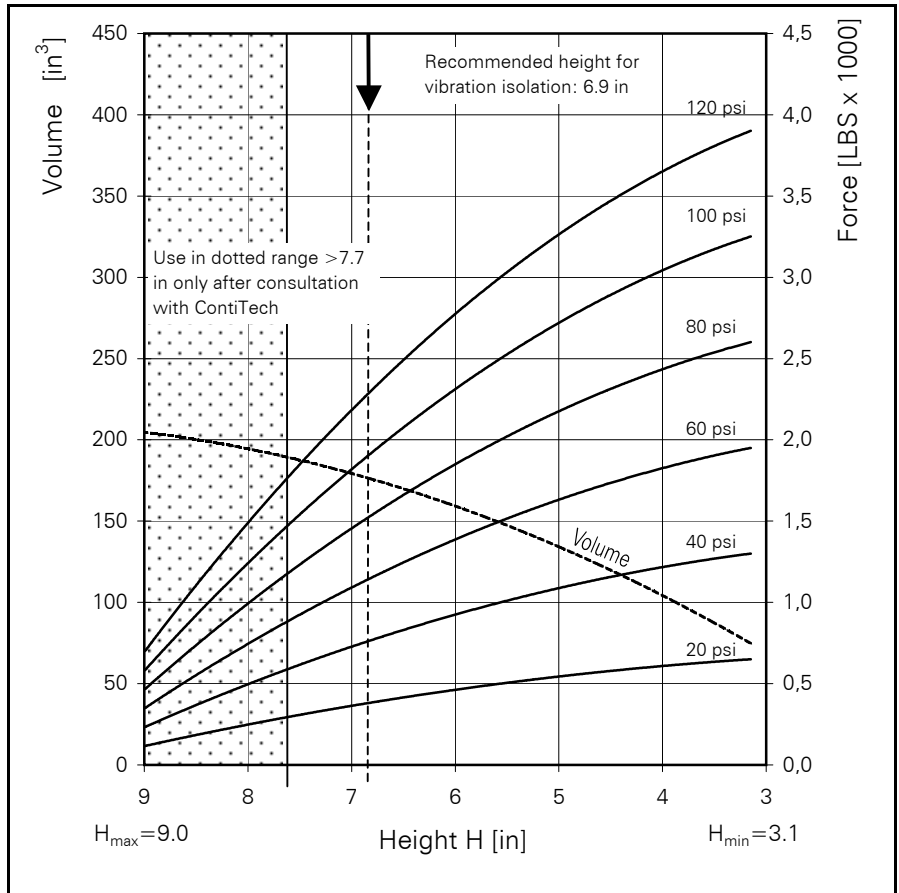


FD 110-15

CONTI® double convoluted air spring



FD 110-15



Force-height-diagram

Purchase order data

Type	Order No.
With clamped plates 1/2 NPT air inlet	61194

Technical data

Min. pressure	0 psi
Return force to min. height	≤ 45 lbs
Overall weight with clamped plates	4.8 lbs

Additional types on request

Vibration isolation - dynamic characteristic values

Design height H: recommended 6.9 inch, minimum 6.3 inch

Pressure p [psi]	40	60	80	100	120		Vol. V [in ³]
Force (Load) [lbs]	750	1130	1500	1880	2250		
Spring rate [lbs/in]	381	546	709	858	1004		180
Natural frequency [Hz]	2.3	2.2	2.2	2.1	2.1		

Pneumatic application - static characteristic values

Force F [lbs]

Pressure p [psi]	20	40	60	80	100	120	Vol [in ³]	
Height H [in]	7	370	730	1100	1470	1830	2200	181
	6	460	910	1370	1820	2280	2740	158
	5	540	1070	1610	2150	2680	3220	134
	4	610	1220	1830	2440	3040	3650	107
	3	660	1310	1970	2620	3280	3930	65



Service instruction
3/8 = 15-20 LBxFT
1/2 NPT = 20-30 LBxFT